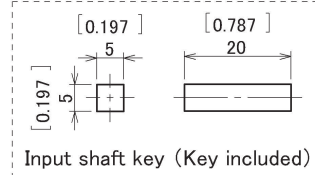
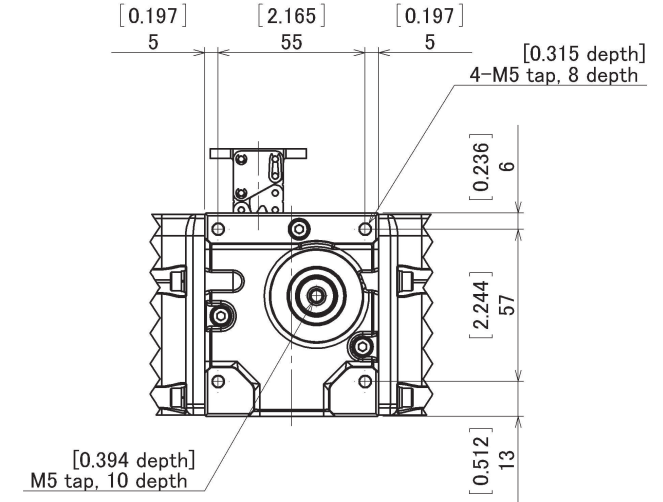
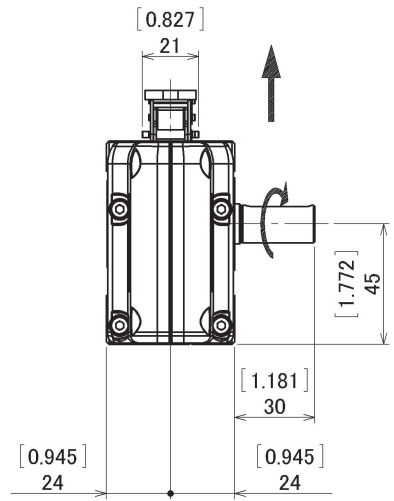


- ※1 Values when operating at a maximum 0.35G(upper limit) acceleration. Values represent allowable thrust when tip bracket is mounted.
- ※2 To use within please keep stroke operation between L/Min & L/Max.
- ※3 Values at the middle of input shaft.

Materials: Drive section (cast iron)
 Housing section (polyacetal)
 Chain(iron)
 Lubricant: Grease

Installation precaution:
 ● Be sure to install a linear guide in the direction of travel so that the Zip Chain is not subjected to unaffected lateral loads or bending moments.

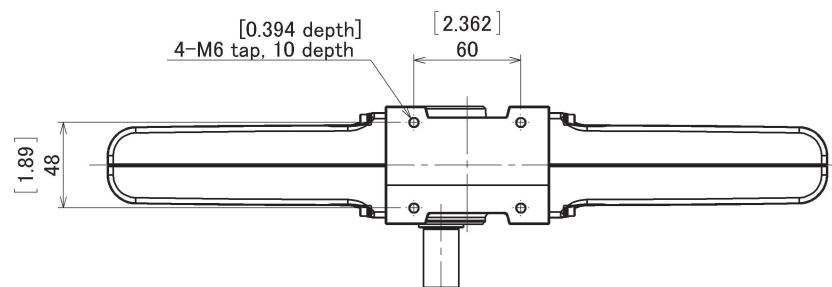
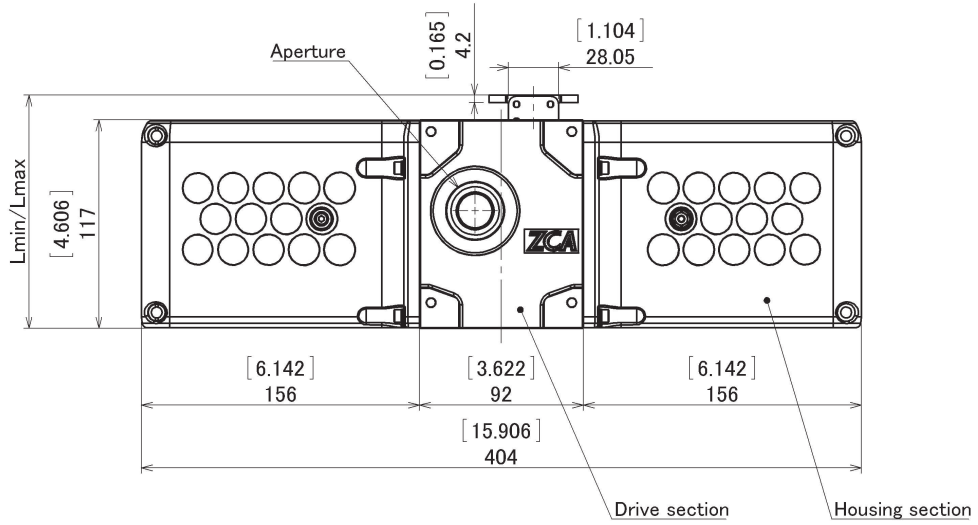
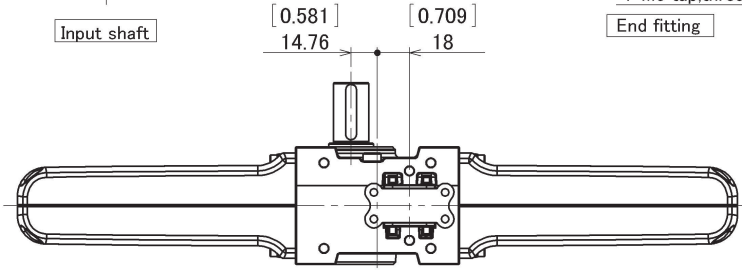
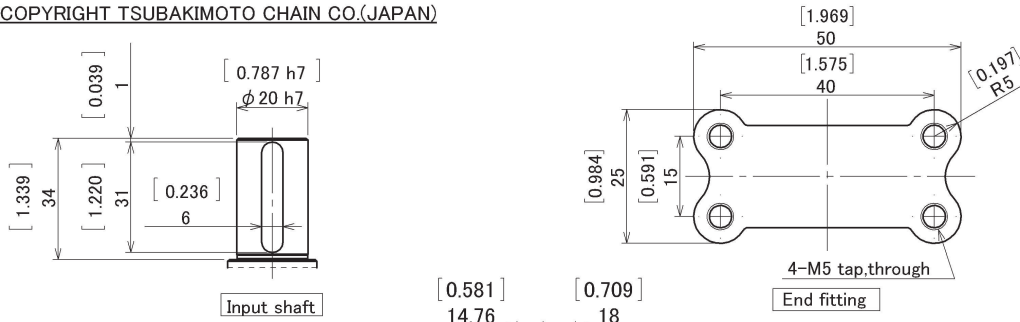
Specifications	
Allowable thrust N[kgf](lbf) ※1	400 [40.8] (89.923)
Stroke mm(inch) ※2	300 (11.811)
Lmin/Lmax mm(inch) ※2	90/390 (3.543/15.354)
Maximum speed mm/sec(ft/min)	1000 (196.850)
Maximum input r.p.m. r/min	630
Allowable input shaft torque N·m[kgf·m](lbf·ft)	9.41 [0.96] (6.940)
Allowable overhung load N[kgf](lbf) ※3	638 [65.0] (143.427)
Zip Chain travel disutance per input shaft rotation mm(inch)	95.3 (3.751)



REVISION HISTORY		QUANTITY	WEIGHT (kg/lb)	DATE	
			1.9/4.19	2020.3.31	
		CUSTOMER	MODEL NO.		
			ZCA25N030EL		
		MFG. NO.	SPECIFICATION		
SCALE	DIMENSIONS	PROJECTION	APPROVED	CHEKED	DRAWN
FREE	IN MM [INCH]		Y.Kuboi	Y.Nakaguchi	Y.Minamiyama
		DRWG. NO.	ZCA002. 10001-E <th>LEV.</th>		LEV.
					0

TSUBAKIMOTO CHAIN CO.

ZCA002. 10001-E

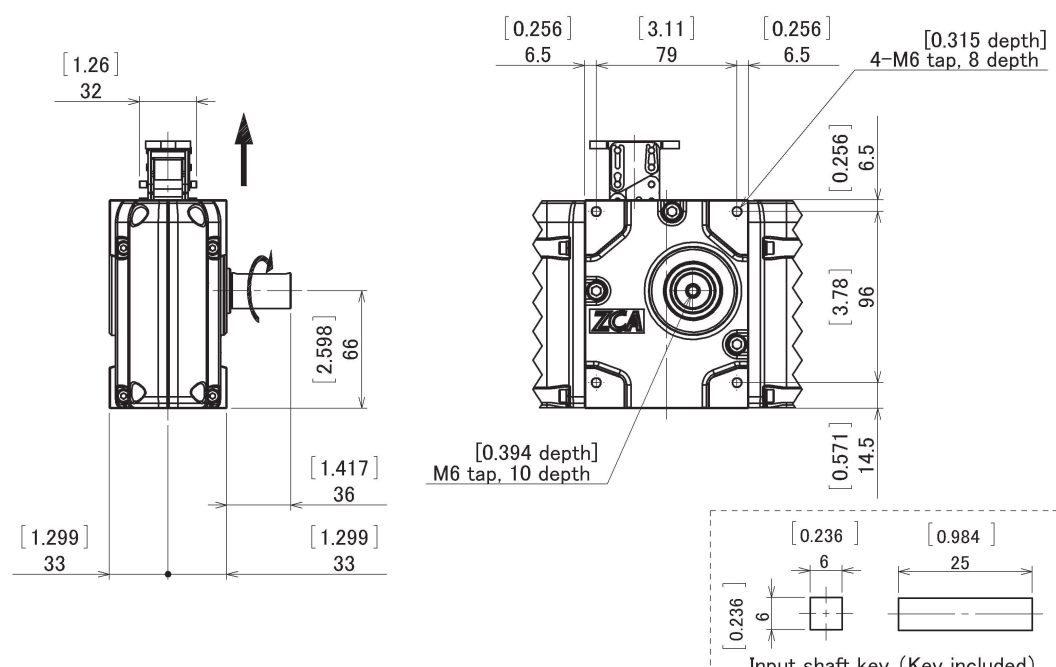


※1 Values when operating at a maximum 0.35G(upper limit) acceleration.
 Values represent allowable thrust when tip bracket is mounted.
 ※2 To use within please keep stroke operation between L/Min & L/Max.
 ※3 Values at the middle of input shaft.

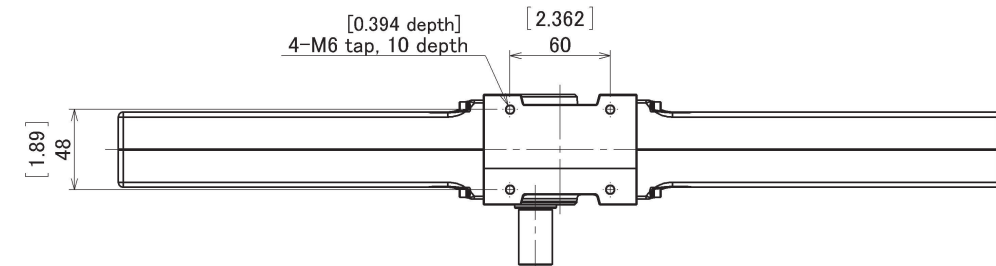
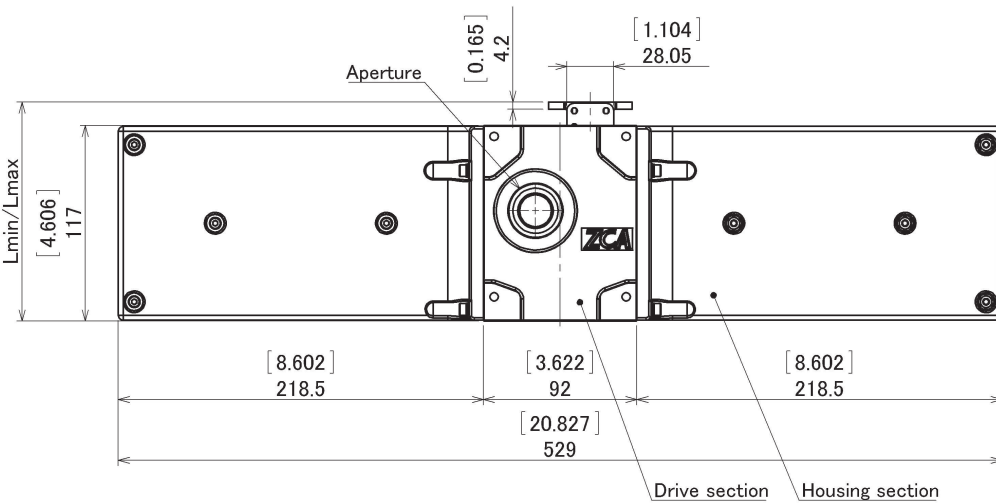
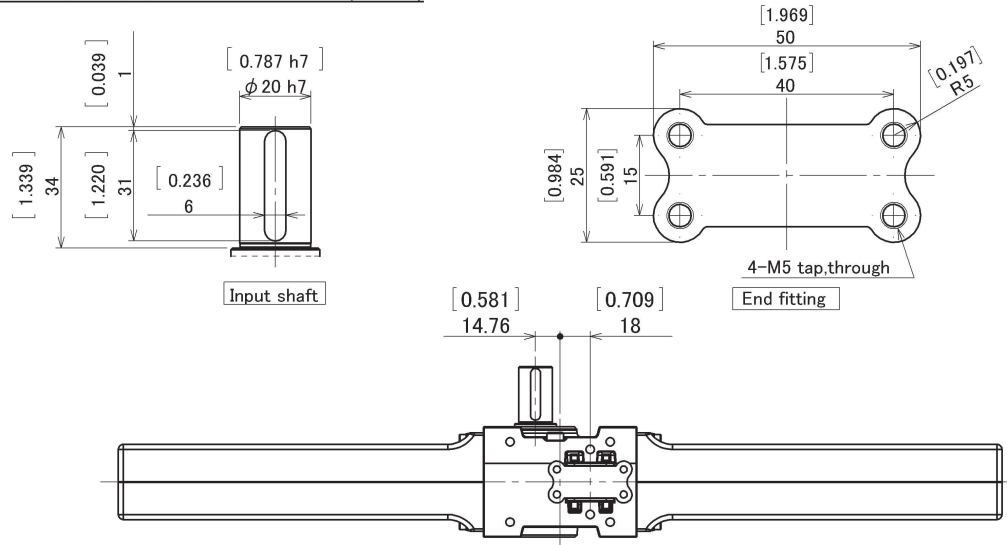
Materials: Drive section (cast iron)
 Housing section (polyacetal)
 Chain (iron)
 Lubricant: Grease

Installation precaution:
 ● Be sure to install a linear guide in the direction of travel so that the Zip Chain is not subjected to unaffected lateral loads or bending moments.

Specifications	
Allowable thrust N[kgf](lbf) ※1	1000 [102.0] (224.808)
Stroke mm(inch) ※2	500 (19.685)
Lmin/Lmax mm(inch) ※2	131 / 631 (5.157 / 24.842)
Maximum speed mm/sec(ft/min)	1000 (196.850)
Maximum input r.p.m. r/min	420
Allowable input shaft torque N·m[kgf·m](lb·ft)	34.7 [3.53] (25.594)
Allowable overhung load N[kgf](lbf) ※3	946 [96.4] (212.669)
Zip Chain travel distance per input shaft rotation mm(inch)	142.9 (5.625)



REVISION HISTORY		QUANTITY	WEIGHT (kg/lb)	DATE	
			5.1/11.25	2020.3.31	
		CUSTOMER	MODEL NO.		
			ZCA35N050EL		
		MFG. NO.	SPECIFICATION		
SCALE	DIMENSIONS	PROJECTION	APPROVED	CHEKED	DRAWN
FREE	IN MM [INCH]		Y.Kuboi	Y.Nakaguchi	Y.Minamiyama
TSUBAKIMOTO CHAIN CO.			DRWG. NO.	LEV.	
			ZCA003. 10001-E	0	



※1 Values when operating at a maximum 0.35G(upper limit) acceleration.
Values represent allowable thrust when tip bracket is mounted.

※2 To use within please keep stroke operation between L/Min & L/Max.

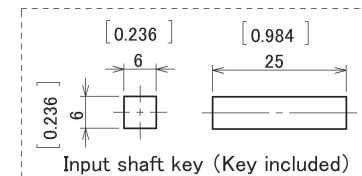
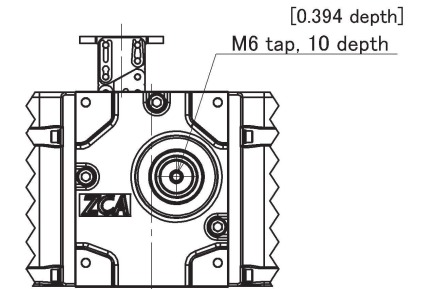
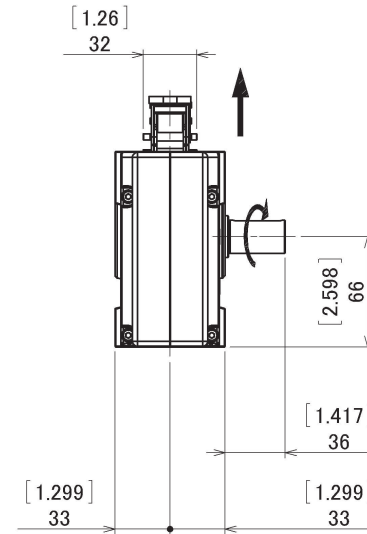
※3 Values at the middle of input shaft.

Materials: Drive section (cast iron)
Housing section (polyacetal)
Chain(iron)
Lubricant: Grease

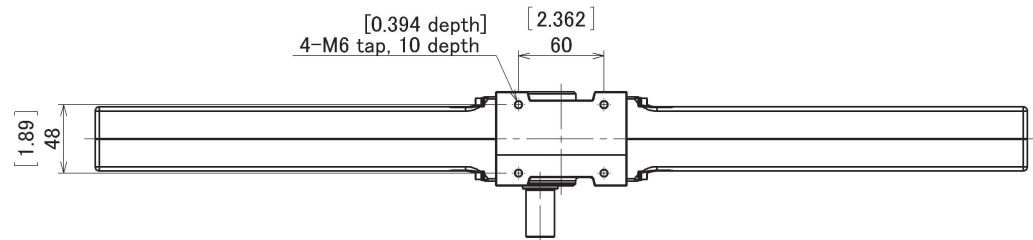
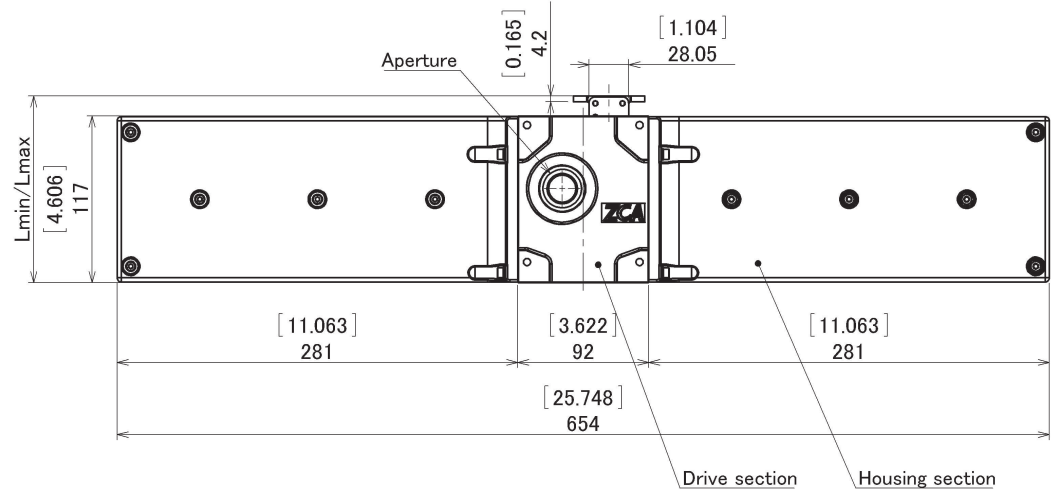
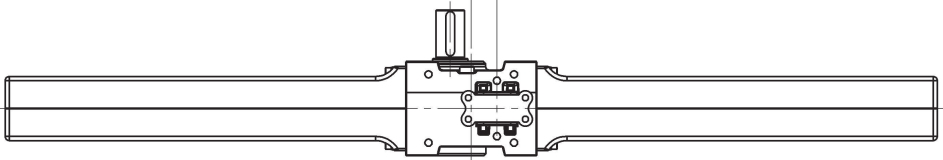
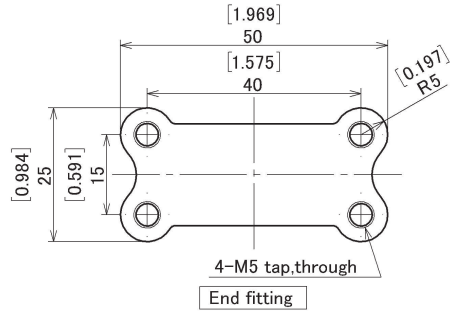
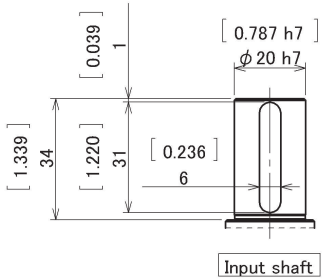
Installation precaution:

● Be sure to install a linear guide in the direction of travel so that the Zip Chain is not subjected to unaffected lateral loads or bending moments.

Specifications	
Allowable thrust N[kgf](lbf) ※1	1000 [102.0] (224.808)
Stroke mm(inch) ※2	750 (29.527)
Lmin/Lmax mm(inch) ※2	131 / 881 (5.157/34.685)
Maximum speed mm/sec(ft/min)	1000 (196.850)
Maximum input r.p.m. r/min	420
Allowable input shaft torque N·m[kgf·m](lb·ft)	34.7 [3.53] (25.594)
Allowable overhung load N[kgf](lbf) ※3	946 [96.4] (212.669)
Zip Chain travel disutance per input shaft rotation mm(inch)	142.9 (5.625)



REVISION HISTORY			QUANTITY		WEIGHT (kg/lb)		DATE				
					6.5/14.34		2020.4.2				
			CUSTOMER		MODEL NO.						
					ZCA35N075EL						
			MFG. NO.		SPECIFICATION						
SCALE		DIMENSIONS		PROJECTION		APPROVED		CHECKED		DRAWN	
FREE		IN MM [INCH]				Y.Kuboi		Y.Nakaguchi		Y.Minamiyama	
TSUBAKIMOTO CHAIN CO.			DRWG. NO.		ZCA003. 10002-E						
					LEV. 0						



※1 Values when operating at a maximum
Values represent allowable thrust when
tip bracket is mounted.

Condition A: In the case when tensile load
to be applied to the chain.
Condition B: In the case when compressive load
to be applied to the chain.

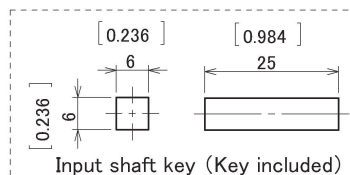
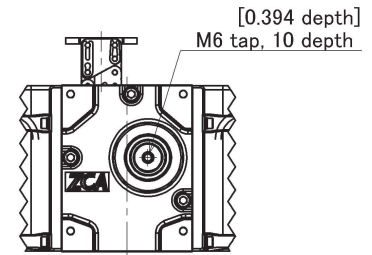
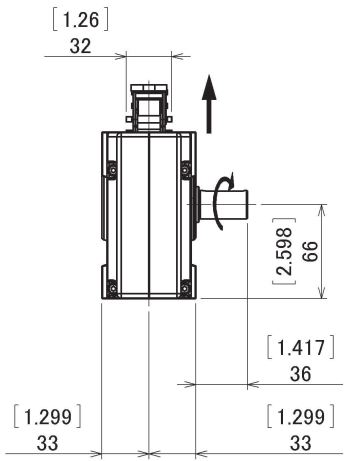
※2 To use within please keep stroke operation between L/Min & L/Max.
※3 Values at the middle of input shaft.

Materials: Drive section (cast iron)
Housing section (polyacetal)
Chain (iron)
Lubricant: Grease

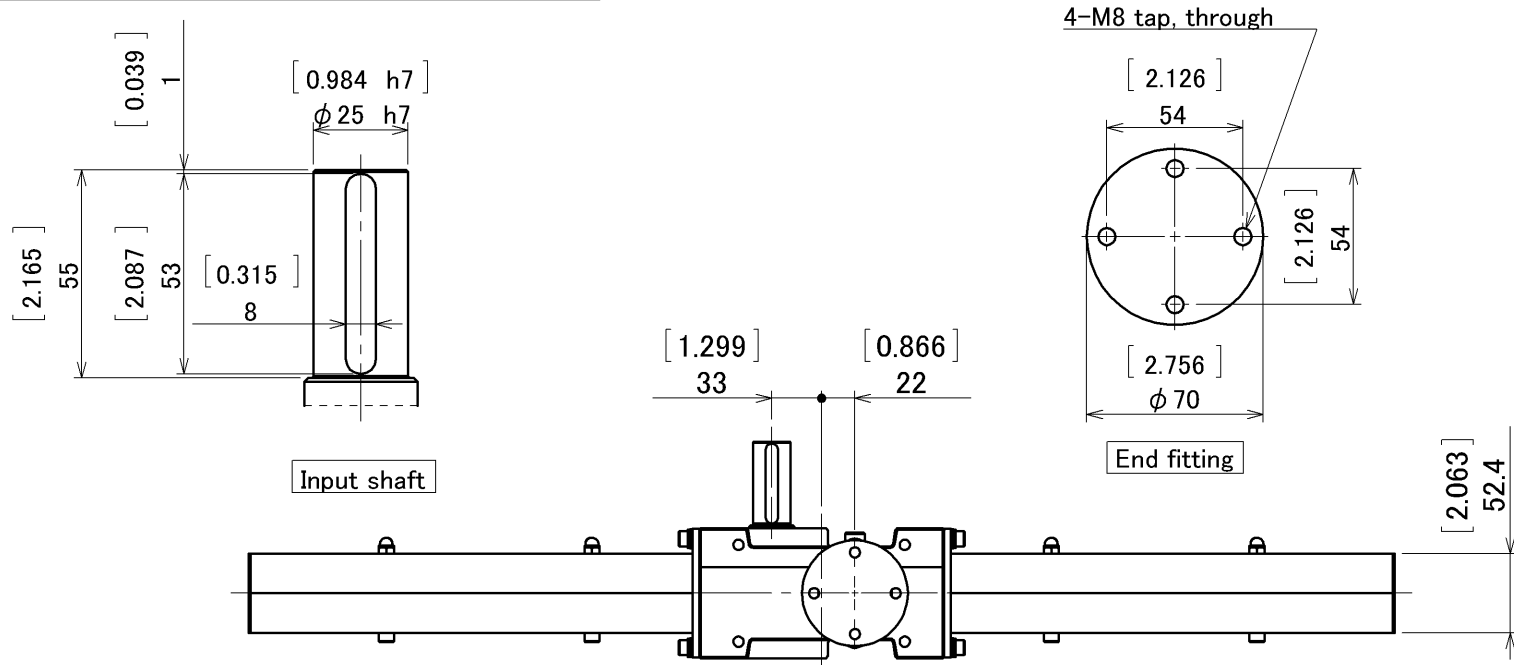
Installation precaution:
● Be sure to install a linear guide in the direction of travel so that
the Zip Chain is not subjected to unaffected lateral loads or bending moments.

Specifications

Allowable thrust N[kgf](lbf) ※1	Condition A	1000 [102.0] (224.808)
	Condition B	600 [61.2] (134.885)
Stroke mm(inch) ※2		1000 (39.370)
Lmin/Lmax mm(inch) ※2		131/1131 (5.157/44.527)
Maximum speed mm/sec(ft/min)		1000 (196.850)
Maximum input r.p.m. r/min		420
Allowable input shaft torque N·m[kgf·m](lb·ft)		34.7 [3.53] (25.594)
Allowable overhung load N[kgf](lbf) ※3		946 [96.4] (212.669)
Zip Chain travel distance per input shaft rotation mm(inch)		142.9 (5.625)



REVISION HISTORY		QUANTITY	WEIGHT (kg/lb)	DATE	
			7.5/16.54	2020.4.2	
		CUSTOMER	MODEL NO.		
			ZCA35N100EL		
		MFG. NO.	SPECIFICATION		
SCALE	DIMENSIONS	PROJECTION	APPROVED	CHEKED	DRAWN
FREE	IN MM [INCH]		Y.Kuboi	Y.Nakaguchi	Y.Minamiyama
TSUBAKIMOTO CHAIN CO.		DRWG. NO.	ZCA003. 10003-E		LEV. 0



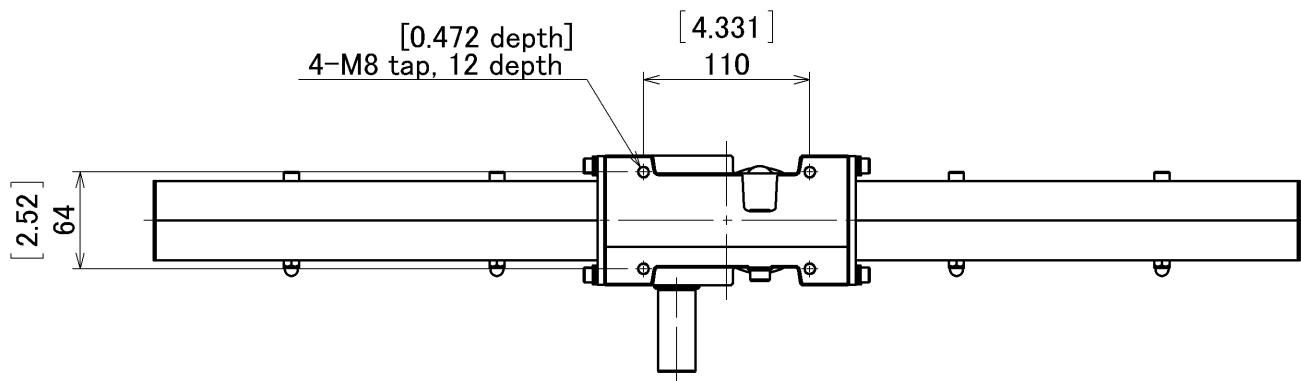
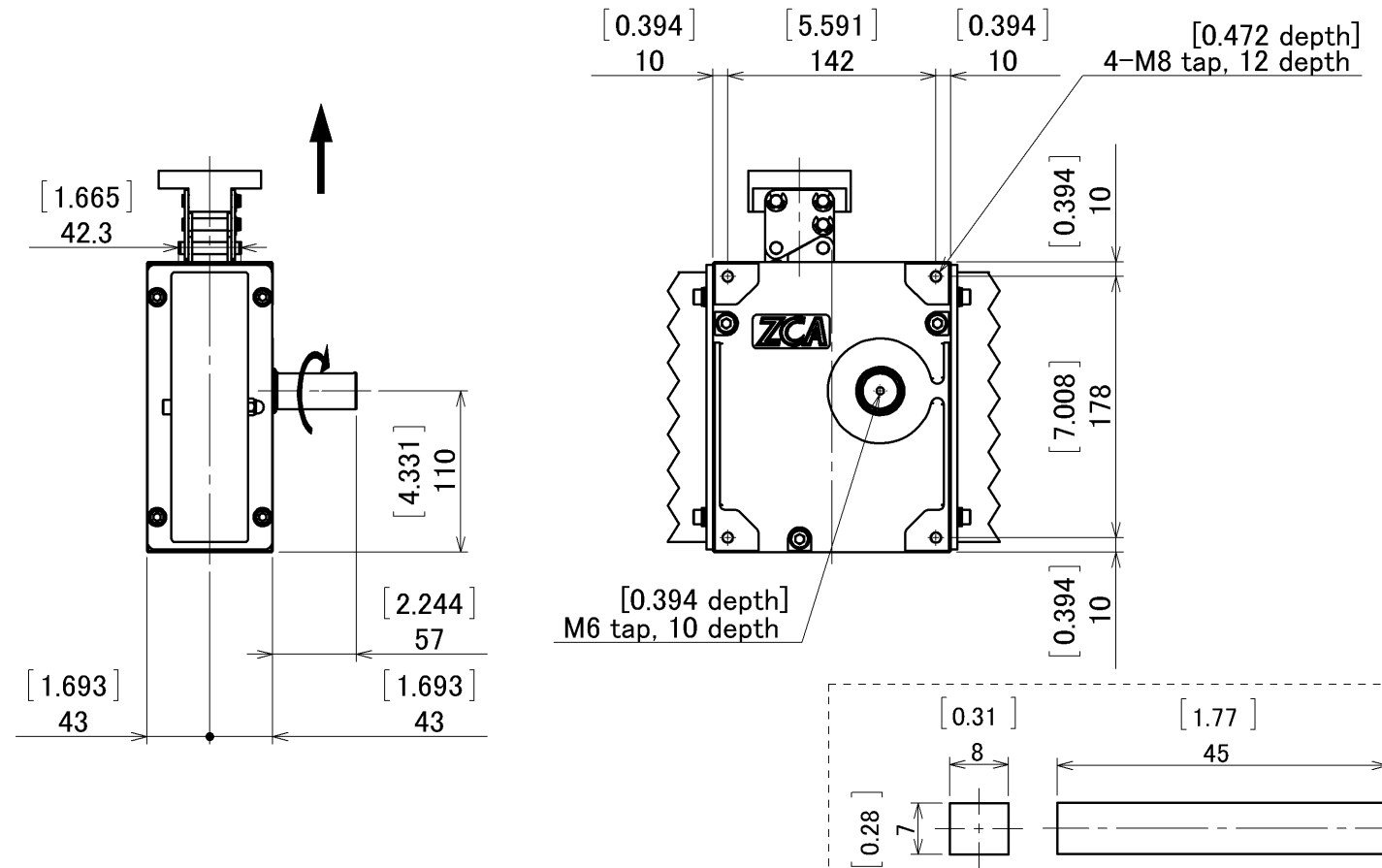
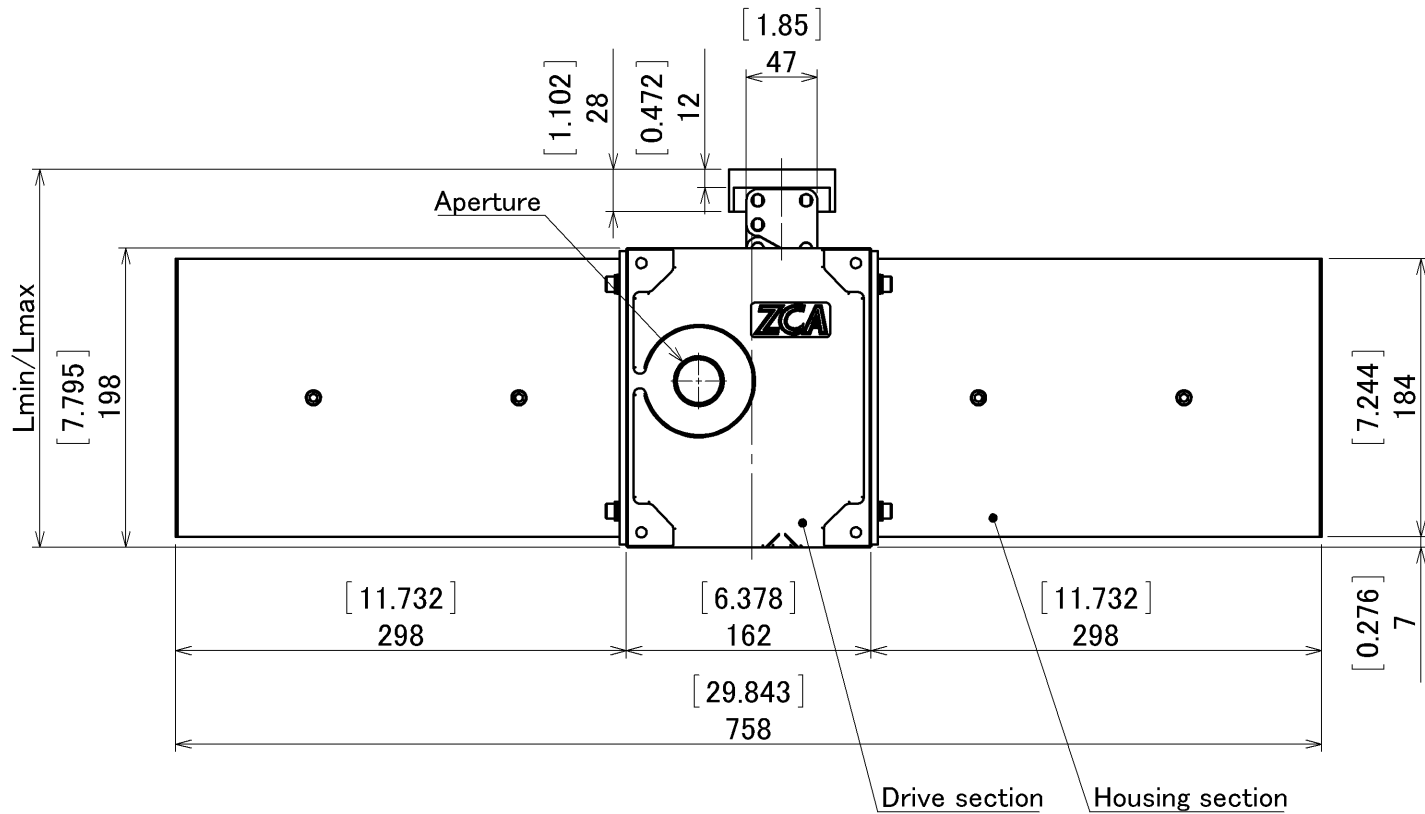
- ※1 Values when operating at a maximum 0.35G(upper limit) acceleration. Values represent allowable thrust when tip bracket is mounted.
- ※2 To use within please keep stroke operation between L/Min & L/Max.
- ※3 Values at the middle of input shaft.

Materials: Drive section (cast iron)
Housing section (iron)
Chain (iron)
Lubricant: Grease

Installation precaution:

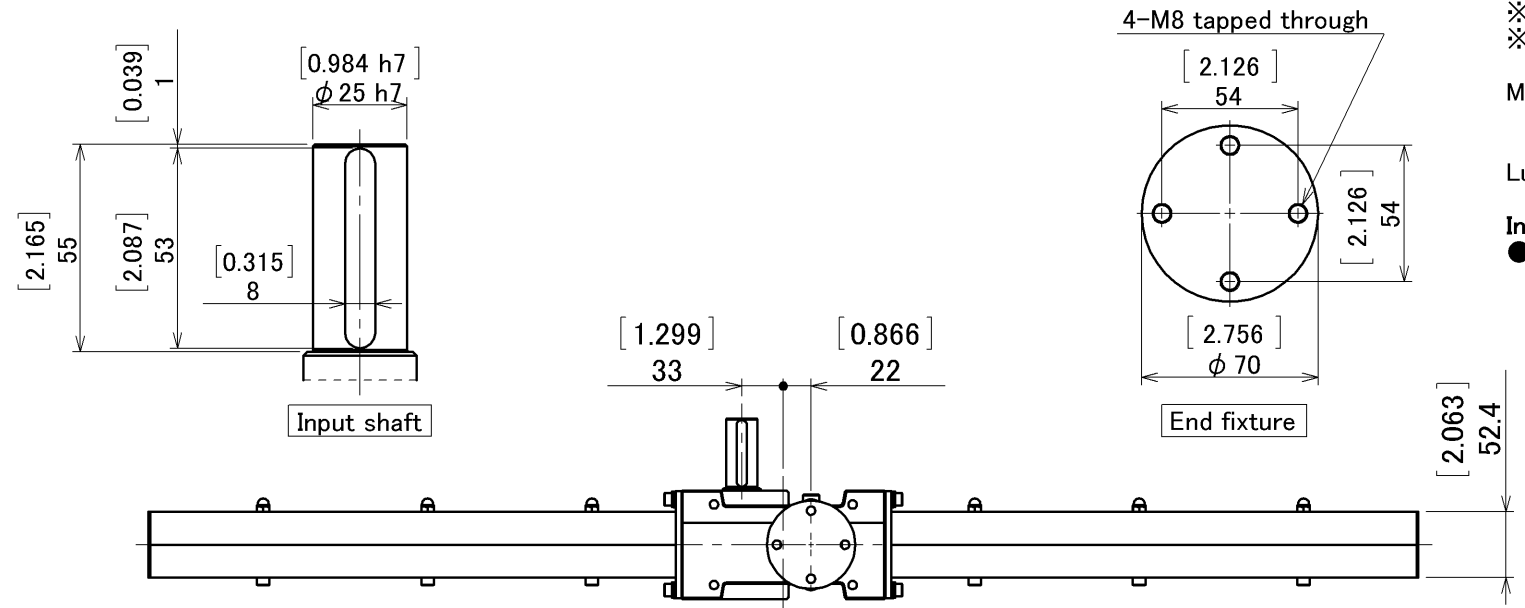
- Be sure to install a linear guide in the direction of travel so that the Zip Chain is not subjected to unaffected lateral loads or bending moments.

Specifications	
Allowable thrust N(kgf)(lbf) ※1	2000 {204.0} (449.617)
Stroke mm(inch) ※2	1000 (39.370)
Lmin/Lmax mm(inch) ※2	250/1250 (9.842/49.212)
Maximum speed mm/sec(ft/min)	500 (98.425)
Maximum input r.p.m. r/min	125
Allowable input shaft torque N·m(kgf·m)(lbf·ft)	116.6 {11.9} (86.004)
Allowable overhung load N(kgf)(lbf) ※3	2065 {210.5} (464.229)
Zip Chain travel distance per input shaft rotation mm(inch)	240 (9.448)



REVISION HISTORY

QUANTITY		WEIGHT (kg/lb)		DATE	
		21.0/46.30		2020.4.3	
CUSTOMER		MODEL NO.			
		ZCA45N100EL			
MFG. NO.		SPECIFICATION			
SCALE	DIMENSIONS	PROJECTION	APPROVED	CHECKED	DRAWN
FREE	IN MM [INCH]		Y.Kuboi	Y.Nakaguchi	Y.Minamiyama
TSUBAKIMOTO CHAIN CO.		DRWG. NO.		LEV.	
		ZCA004. 10001-E		0	

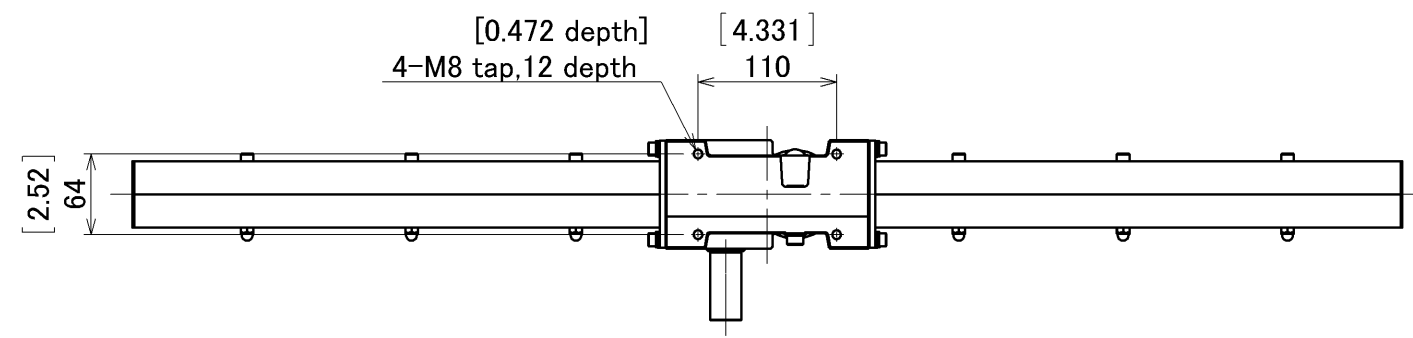
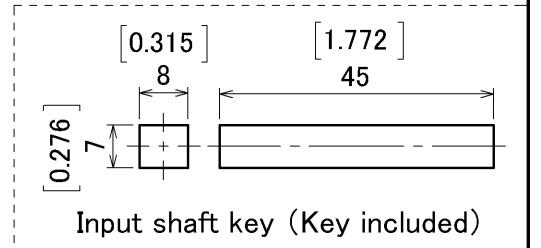
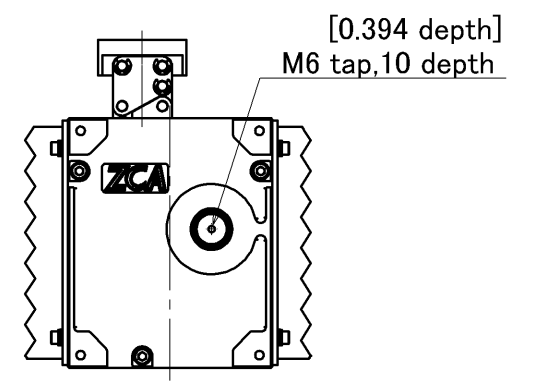
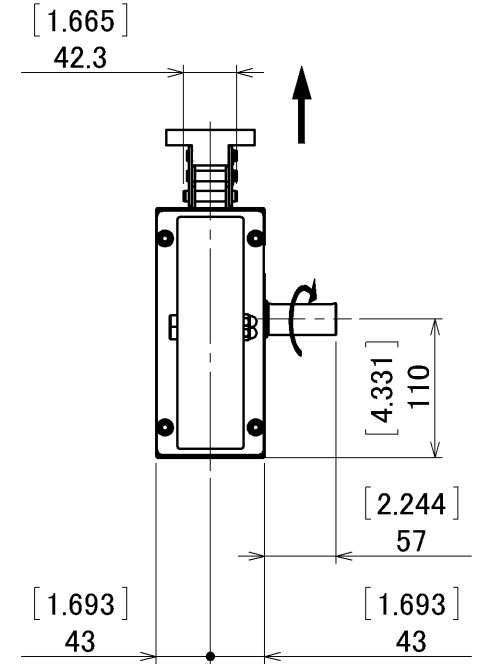
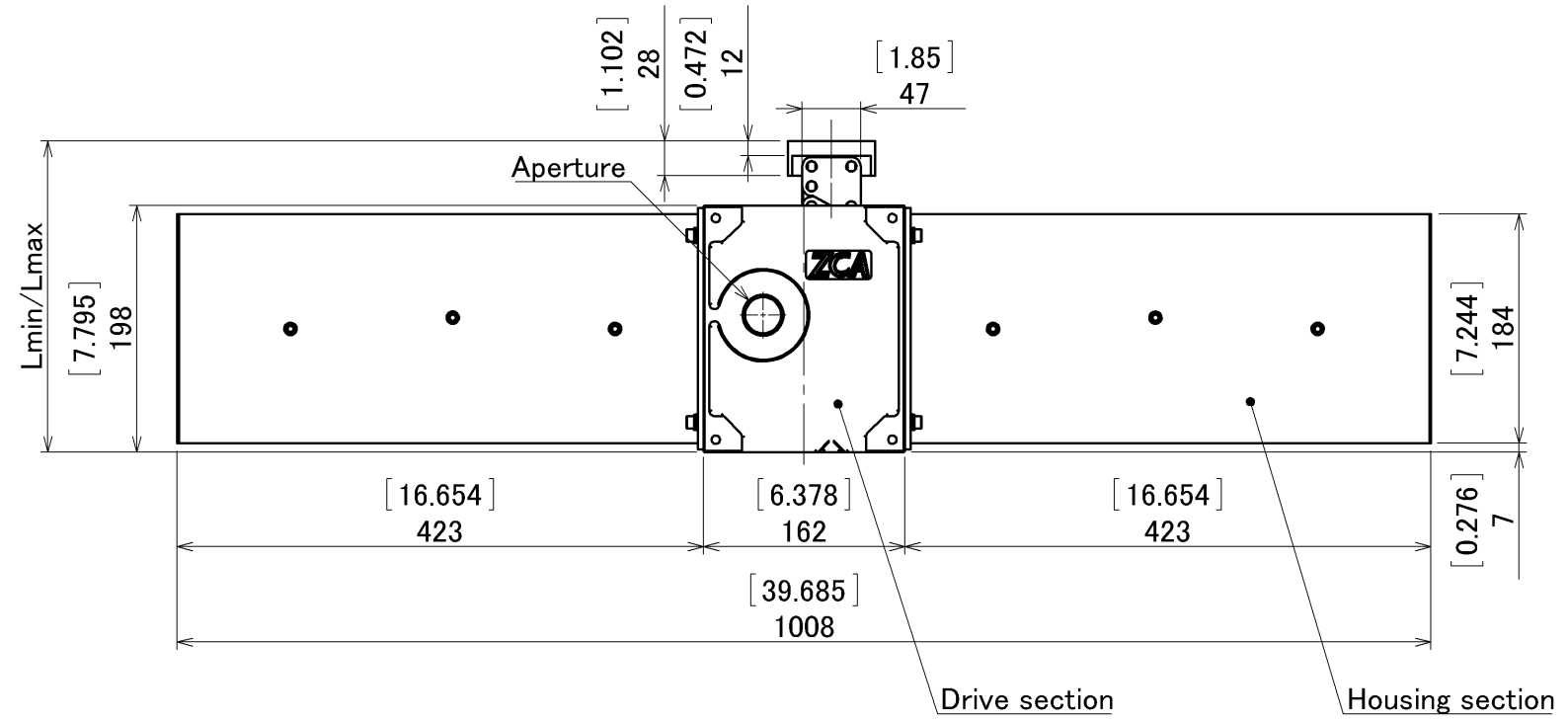


※1 Values when operating at a maximum 0.35G(upper limit) acceleration. Values represent allowable thrust when tip bracket is mounted.
 ※2 To use within please keep stroke operation between L/Min & L/Max.
 ※3 Values at the middle of input shaft.

Materials: Drive section (cast iron)
 Housing section (polyacetal)
 Chain(iron)
 Lubricant: Grease

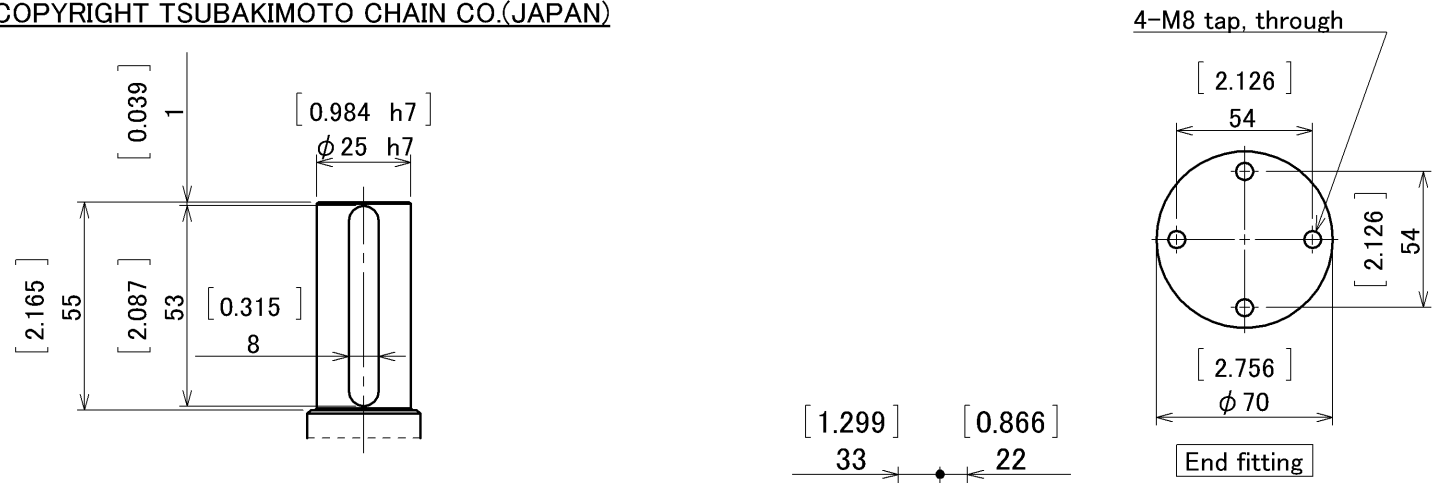
Installation precaution:
 ● Be sure to install a linear guide in the direction of travel so that the Zip Chain is not subjected to unaffected lateral loads or bending moments.

Specifications	
Allowable thrust N[kgf](lbf) ※1	2000 [204.0] (449.617)
Stroke mm(inch) ※2	1500 (59.055)
Lmin/Lmax mm(inch) ※2	250/1750 (9.842/68.897)
Maximum speed mm/sec(ft/min)	500 (98.425)
Maximum input r.p.m. r/min	125
Permissible input shaft torque N·m[kgf·m](lb·ft)	116.6 [11.9] (86.004)
Allowable overhung load N[kgf](lbf) ※3	2065 [210.5] (464.229)
Zip Chain movement amount per input shaft rotation mm(inch)	240 (9.448)



REVISION HISTORY
 2019.11.14
 REVISED BY THE REV-1
 DRAWING
 (現作図方法に統一するため改訂1にて書替)

QUANTITY	WEIGHT (kg/lb)	DATE
CUSTOMER	25.0/55.12	2020.4.3
MFG. NO.	MODEL NO.	ZCA45N150EL
SCALE	SPECIFICATION	
FREE	APPROVED	Y.Kuboi
DIMENSIONS IN MM [INCH]	CHEKED	Y.Nakaguchi
PLOJECTION	DRAWN	Y.Minamiyama
TSUBAKIMOTO CHAIN CO.	DRWG. NO.	ZCA004. 10002-E
	LEV.	1



※1 Values when operating at a maximum.
Values represent allowable thrust when tip bracket is mounted.

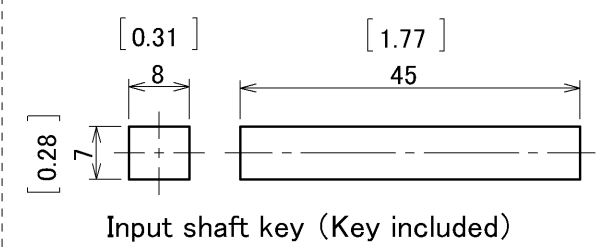
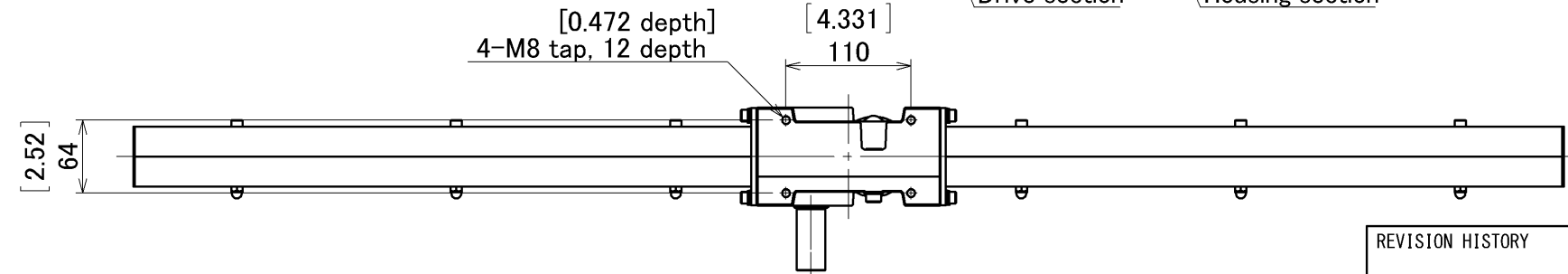
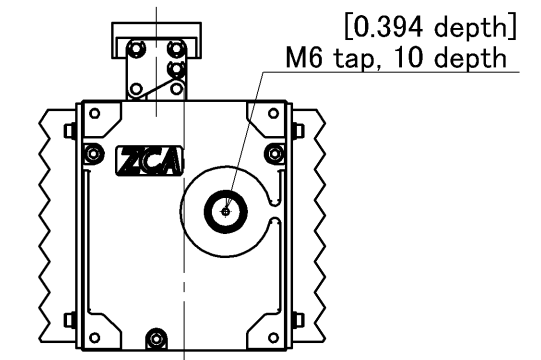
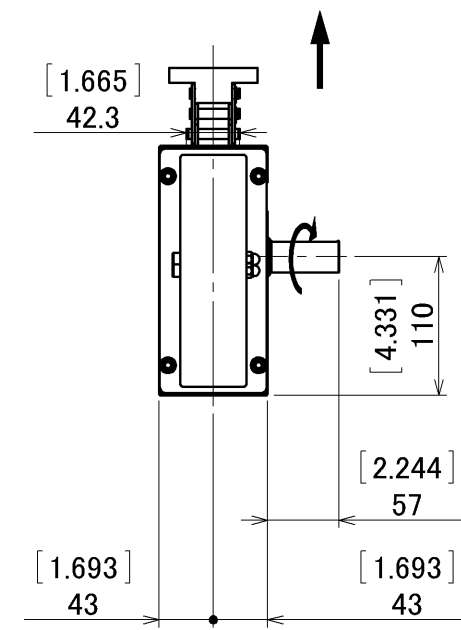
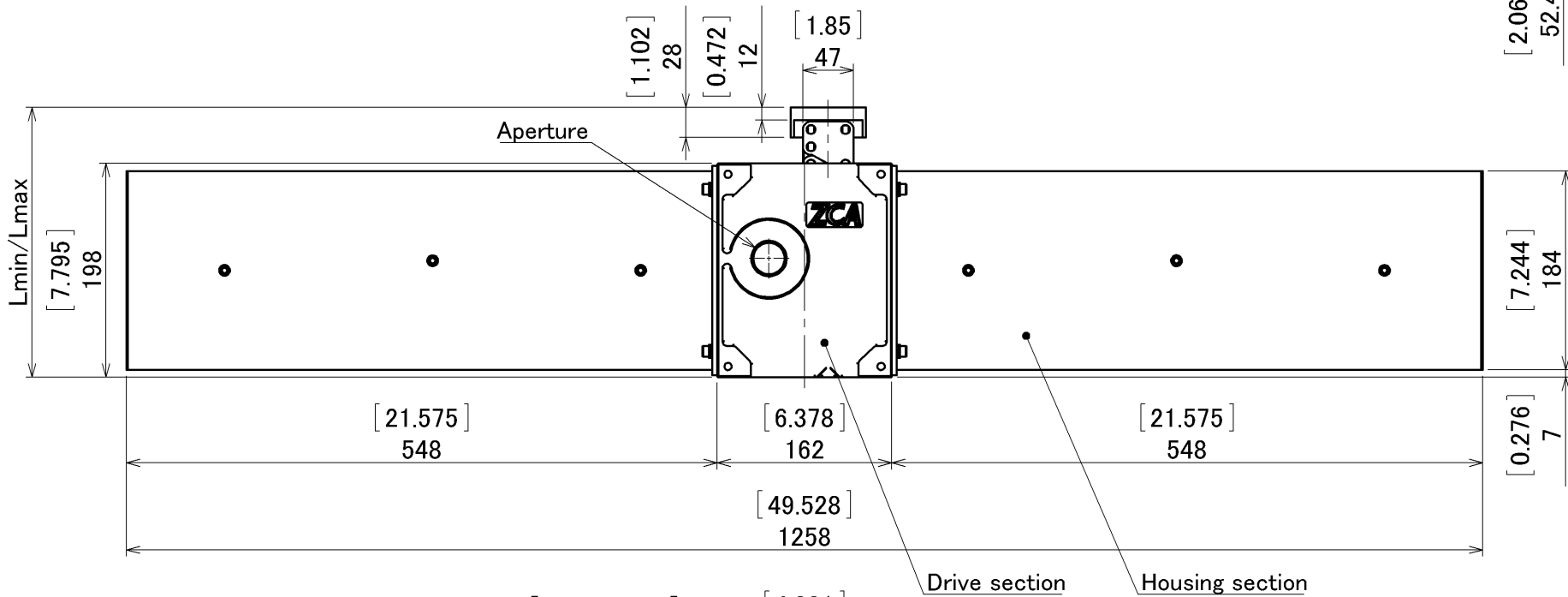
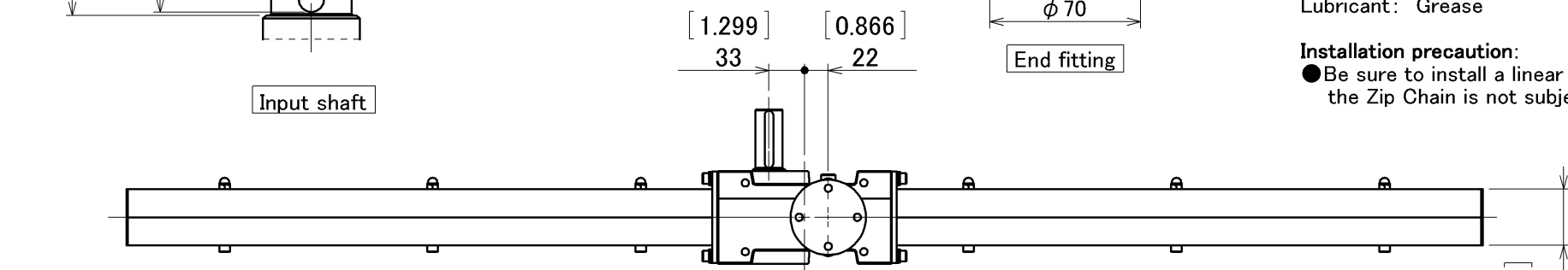
Condition A: In the case when tensile load to be applied to the chain.
Condition B: In the case when compressive load to be applied to the chain.

※2 To use within please keep stroke operation between L/Min & L/Max.
※3 Values at the middle of input shaft.

Materials: Drive section (cast iron)
Housing section (iron)
Chain (iron)
Lubricant: Grease

Installation precaution:
● Be sure to install a linear guide in the direction of travel so that the Zip Chain is not subjected to unaffected lateral loads or bending moments.

Specifications		
Allowable thrust N[kgf](lbf) ※1	Condition A	2000 [204.0] (449.617)
	Condition B	1200 [122.5] (269.770)
Stroke mm(inch) ※2		2000 (78.740)
Lmin/Lmax mm(inch) ※2		250/2250 (9.842/88.582)
Maximum speed mm/sec(ft/min)		500 (98.425)
Maximum input r.p.m. r/min		125
Allowable input shaft torque N·m[kgf·m](lb·ft)		116.6 [11.9] (86.004)
Allowable overhung load N[kgf](lbf) ※3		2065 [210.5] (464.229)
Zip Chain travel distance per input shaft rotation mm(inch)		240 (9.448)



REVISION HISTORY

QUANTITY			WEIGHT (kg/lb)		DATE	
CUSTOMER			30.0/66.14		2020.4.3	
MFG. NO.			MODEL NO. ZCA45N200EL			
SCALE			SPECIFICATION			
FREE	DIMENSIONS IN MM [INCH]	PROJECTION	APPROVED	CHEKED	DRAWN	
			Y.Kuboi	Y.Nakaguchi	Y.Minamiyama	
TSUBAKIMOTO CHAIN CO.			DRWG. NO. ZCA004. 10003-E		LEV. 0	